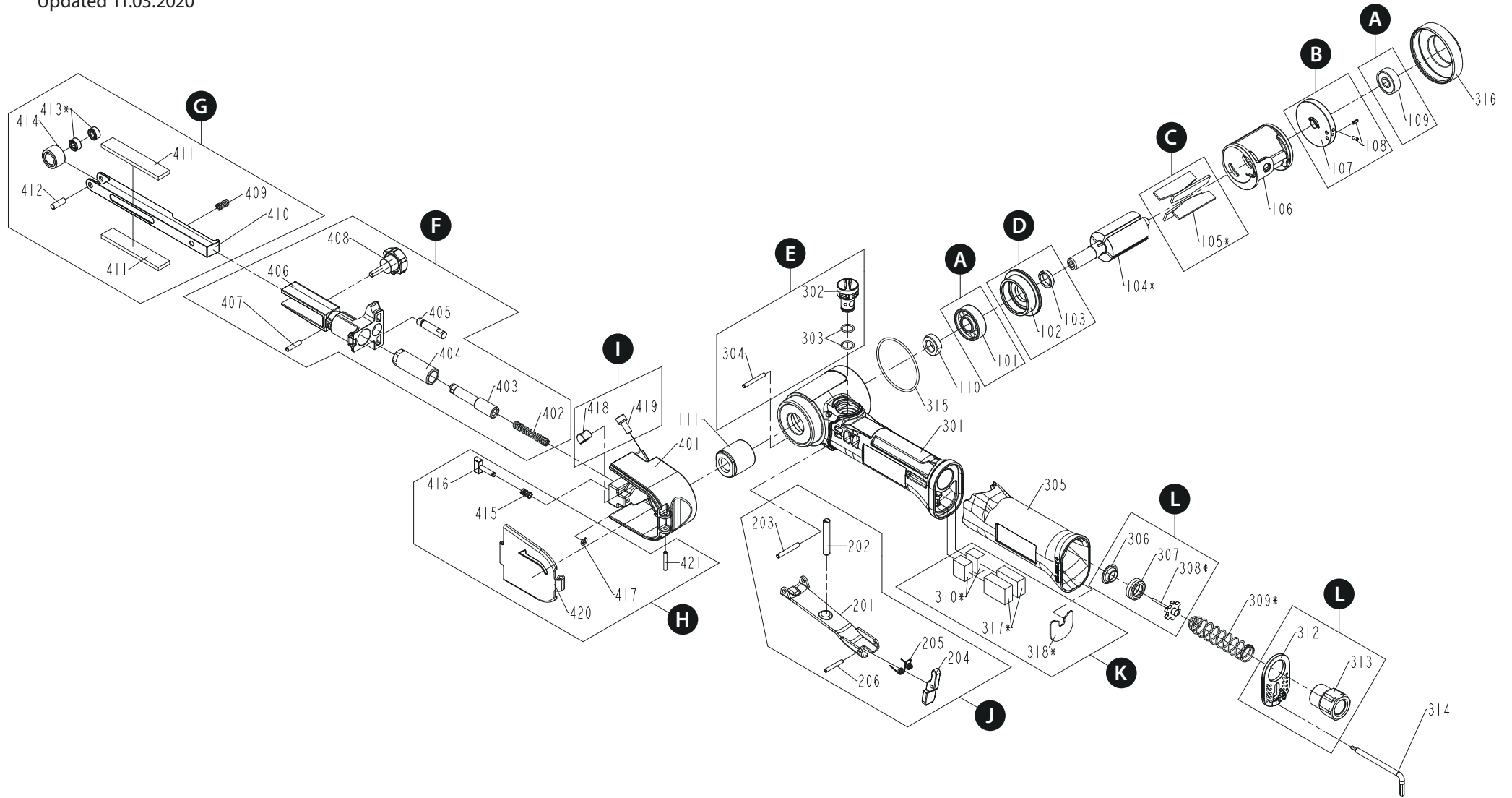




Exploded view of Pneumatic Belt Sander PBS 13NV

Updated 11.03.2020



Pneumatic Belt Sander PBS 13NV Spare Part kits

Note! Repairs performed by non-authorized repairer will breach the Mirka warranty.

Mirka Code	Item	Description	Kit	QTY	Part No
8995122101		End Plate Bearing kit			MPP8000
	101	Bearing	A	1	MPP1101
	109	Bearing		1	MPP1109
8995141071		Rear End Plate kit			MPP8013
	107	Rear End Plate	B	1	MPP2107
	108	Spring Pin		2	MPP1108
8995141051		Vanes kit	C		MPP8014
	105	Vanes		4	MPP2105
8995141021		Front Bearing Plate kit			MPP8015
	102	Front Bearing Plate	D	1	MPP2102
	103	Rotor Washer		1	MPP1103
8995143021		Speed Valve kit			MPP8016
	302	Speed Valve	E	1	MPP2302
	303	O-Ring		2	MPP1303
	304	Spring Pin		1	MPP1304
8995144061		Tension Arm kit			MPP8017
	402	Spring		1	MPP2402
	403	Post Assembly		1	MPP2403
	404	Latch Spring Bushing	F	1	MPP2404
	405	Positioning Shaft		1	MPP2405
	406	Tension Arm		1	MPP2406
	407	Spring Pin		1	MPP2407
	408	Angle Adjusting Bolt		1	MPP2408
8995144101		Adjusting Arm kit			MPP8018
	409	Spring		1	MPP2409
	410	Adjusting Arm		1	MPP2410
	411	Wear Pad	G	2	MPP2411
	412	Pin		1	MPP2412
	413	Bearing		2	MPP1409
	414	Idle Pulley Unit		1	MPP2414
8995144201		Belt Cover & Lock kit			MPP8019
	415	Positioning Spring		1	MPP2415
	416	Tenon Unit	H	1	MPP2416
	417	Pin Lock		1	MPP2417
	420	Cover		1	MPP2418
	421	Spring Pin		1	MPP2419
8995144181		Angle Locking kit			MPP8020
	418	Push Lock	I	1	MPP2418
	419	Screw		1	MPP2419

Pneumatic Belt Sander PBS 13NV Spare Part kits

Mirka Code	Item	Description	Kit	QTY	Part No
8995122201		Lever kit			MPP8010
	201	Lever		1	MPP1201
	202	Valve Stem		1	MPP1202
	203	Spring Pin	J	1	MPP1203
	204	Safety		1	MPP1204
	205	Compression Spring		1	MPP1205
	206	Spring Pin		1	MPP1206
8995122310		Muffler kit			MPP8011
	310	Muffler A	K	2	MPP1310
	317	Muffler B		2	MPP1318
	318	Muffler C		1	MPP1319
8995122306		Air Inlet kit			MPP8012
	306	Seal Bushing		1	MPP1306
	307	Seal	L	1	MPP1307
	308	Tip Valve		1	MPP1308
	312	Deflector		1	MPP1312
	313	Air Inlet		1	MPP1313

Separate spare parts on next page.

Pneumatic Belt Sander PBS 13NV Spare Parts

Mirka Code	Item	Description	Kit	QTY	Part No
	101	Bearing	A	1	MPP1101
	102	Front Bearing Plate	D	1	MPP2102
	103	Rotor Washer	D	1	MPP1103
8995131041	104	Rotor		1	MPP2104
	105	Vanes	C	4	MPP2105
8995131061	106	Cylinder		1	MPP2106
	107	Rear End Plate	B	1	MPP2107
	108	Spring Pin	B	2	MPP1108
	109	Bearing	A	1	MPP1109
8995131101	110	Lock Nut		1	MPP2110
8995131111	111	Drive Pulley		1	MPP2111
	201	Lever	J	1	MPP1201
	202	Valve Stem	J	1	MPP1202
	203	Spring Pin	J	1	MPP1203
	204	Safety	J	1	MPP1204
	205	Compression Spring	J	1	MPP1205
	206	Spring Pin	J	1	MPP1206
8995133011	301	Housing		1	MPP2301
	302	Speed Valve	E	1	MPP2302
	303	O-Ring	E	2	MPP1303
	304	Spring Pin	E	1	MPP1304
8995121305	305	Handle Grip		1	MPP1305
	306	Seal Bushing	L	1	MPP1306
	307	Seal	L	1	MPP1307
	308	Tip Valve	L	1	MPP1308
8995133091	309	Spring		1	MPP2309
	310	Muffler A	K	2	MPP1310
	312	Deflector	L	1	MPP1312
	313	Air Inlet	L	1	MPP1313
8995121314	314	Hex Wrench 2 & 3mm		1	MPP1314
8995133151	315	O-Ring		1	MPP2315
8995133161	316	Front Exhaust Cover		1	MPP2316
	317	Muffler B	K	2	MPP1318
	318	Muffler C	K	1	MPP1319
8995134011	401	Guard Unit		1	MPP2401
	402	Spring	F	1	MPP2402
	403	Post Assembly	F	1	MPP2403
	404	Latch Spring Bushing	F	1	MPP2404
	405	Positioning Shaft	F	1	MPP2405
	406	Tension Arm	F	1	MPP2406
	407	Spring Pin	F	1	MPP2407
	408	Angle Adjusting Bolt	F	1	MPP2408
	409	Spring	G	1	MPP2409
	410	Adjusting Arm	G	1	MPP2410
8995134111	411	Wear Pad 2/pack	G	2	MPP2411
	412	Pin	G	1	MPP2412
8995121409	413	Bearing 2/pack	G	2	MPP1409
	414	Idle Pulley Unit	G	1	MPP2414
	415	Positioning Spring	H	1	MPP2415
	416	Tenon Unit	H	1	MPP2416
	417	Pin Lock	H	1	MPP2417
	418	Push Lock	I	1	MPP2418
	419	Screw	I	1	MPP2419
	420	Cover	H	1	MPP2420
	421	Spring Pin	H	1	MPP2421