

LOCTITE

1001 Trout Brook Crossing
Rocky Hill, CT 06067-3910
Telephone: (860) 571-5100
FAX: (860) 571-5465

Product Description Sheet

97130 LV Hand-Held Applicator

WorldWide Equipment, September 2003

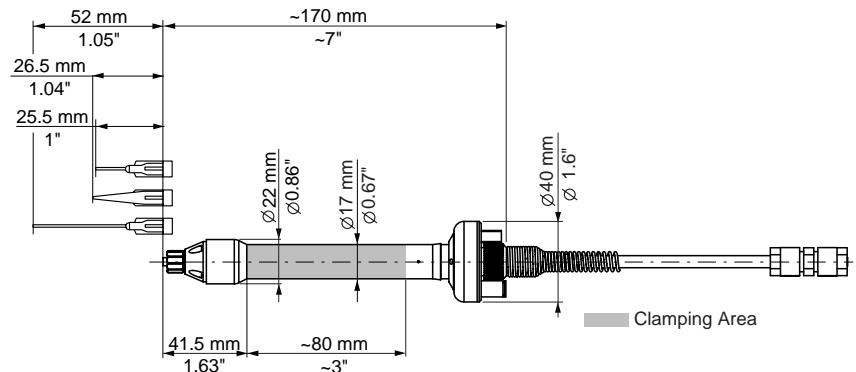
PRODUCT DESCRIPTION

The LOCTITE® LV Hand-Held Applicator is a pneumatically operated, adjustable seat valve, designed to be used in conjunction with pressure-time dispense systems. It is suitable for use with a wide range of low viscosity Loctite products including cyanoacrylates. The valve body and stem are all PTFE to prevent premature curing. This valve is capable of delivering very small drop sizes even with low viscosity products.

PRODUCT FEATURES

- Dispenses low viscosity cyanoacrylates and anaerobics under 10,000cP.
- Slim ergonomic design greatly reduces hand fatigue.
- Forward closing avoids air entrapment and potential premature curing of cyanoacrylates.
- Stroke adjustments for fine-tuning dispense characteristics for drop sizes down to 0.005g.
- Easy repair/replacement of wetted components.
- Valve body and stem are all PTFE to prevent premature curing.

Valve Dimensions



Technical Data

- Dispensing pressure range of the valve: 4 psi (0.25 bar) to 30 psi (2 bar)
- Product feedline: 1/4" OD, or 6 mm OD
- Pneumatic supply: Minimum 4 bar (60 psi); maximum 7 bar (105 psi)
- Pneumatic quality: Filtered 10 µm, oil-free, non-condensing. If required quality is not achieved, install a Loctite® filter regulator. Accessory Order No. 985397
- Pneumatic control air connection: External dia. 4 mm; internal dia. 2.5 mm
- Valve weight: 0.3 lbs. (140 g)

NOT FOR PRODUCT SPECIFICATIONS
PLEASE CONTACT LOCTITE CORPORATION FOR ASSISTANCE: 1-800-LOCTITE (1-800-562-8483)

The data contained herein are furnished for information only and are believed to be reliable. We cannot assume responsibility for the results obtained by others over whose methods we have no control. It is the user's responsibility to determine suitability for the user's purpose of any production methods mentioned herein and to adopt such precautions as may be advisable for the protection of property and of persons against any hazards that may be involved in the handling and use thereof. In light of the foregoing, LOCTITE CORPORATION SPECIFICALLY DISCLAIMS ALL WARRANTIES EXPRESSED OR IMPLIED, INCLUDING WARRANTIES OF MERCHANTABILITY OR FITNESS FOR A PARTICULAR PURPOSE, ARISING FROM SALE OR USE OF LOCTITE CORPORATION'S PRODUCTS. LOCTITE CORPORATION SPECIFICALLY DISCLAIMS ANY LIABILITY FOR CONSEQUENTIAL OR INCIDENTAL DAMAGES OF ANY KIND, INCLUDING LOST PROFITS. The discussion herein of various processes or compositions is not to be interpreted as representation that they are free from domination of patents owned by others or as a license under any Loctite Corporation patents that may cover such processes or compositions. We recommend that each prospective user test his proposed application before repetitive use, using this data as a guide. This product may be covered by one or more United States or foreign patents or patent applications.

Loctite is a trademarks of Loctite Corp. U.S.A.