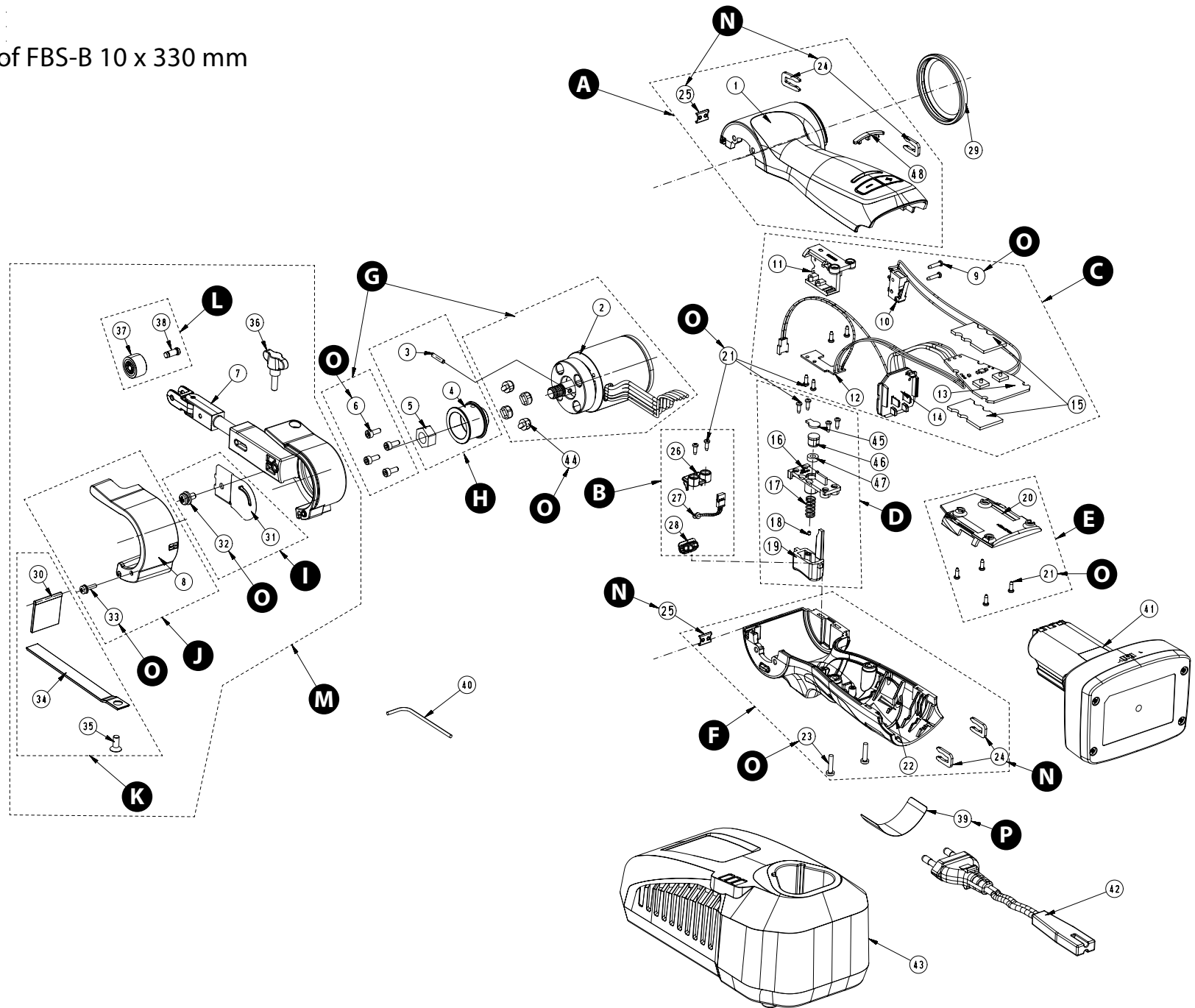


Exploded view of FBS-B 10 x 330 mm
Updated 20.03.2024



FBS-B 10 x 330 mm Spare Part kits

Electrical tool must be serviced by a qualified repair person and in accordance with national requirements.

Note! Repairs done by non-authorized repairer will breach the Mirka warranty.

Mirka Code	Item	Description	Kit	QTY	Tightening Torque
MBB1120111		Upper Housing kit			
	1	Upper Housing		1	
	24	Assembly Clamp	A	2	
	25	Clip		1	
	48	LED Cover		1	
MBB1122611		LED Light kit			
	21	Screw 2,2 x 6,5 mm		2	0,4 Nm/0,3 ft-lb
	26	LED Light Holder	B	1	
	27	LED Light Module		1	
	28	LED Light Cover		1	
MBB1121011		Speed Controller kit *			
	9	Screw 2,2 x 10 mm		2	0,3 Nm/0,2 ft-lb
	10	Switch		1	
	11	Holder		1	
	12	PCB Switch	C	1	
	13	Speed Controller		1	
	14	Battery Terminal		1	
	15	Cooling Film		2	
	21	Screw 2,2 x 6,5 mm		4	0,4 Nm/0,3 ft-lb
MBB1121611		Trigger Button (Variable) kit			
	16	Trigger Button Cover		1	
	17	Trigger Spring		1	
	18	Magnet		1	
	19	Trigger Button	D	1	
	21	Screw 2,2 x 6,5 mm		4	0,4 Nm/0,3 ft-lb
	45	Washer		1	
	46	Plastic Sleeve		1	
	47	Washer		1	
8991022111		PCB Cover kit			
	20	PCB Cover	E	1	
	21	Screw 2,2 x 6,5 mm		4	0,4 Nm/0,3 ft-lb
MBB1122211		Lower Housing kit			
	22	Lower Housing		1	
	23	Screw 2,9 x 13 mm	F	2	0,7 Nm/0,5 ft-lb
	24	Assembly Clamp		2	
	25	Clip		1	
MBB1120211		Motor kit *			
	2	Motor	G	1	
	6	Screw M3 x 8 mm		4	1,0 Nm/0,7 ft-lb
	44	Rubber Cap		4	
MBB1020311		Drive Pulley kit			
	3	Pin	H	1	
	4	Pulley		1	
	5	Nut		1	

FBS-B 10 x 330 mm Spare Part kits

Mirka Code	Item	Description	Kit	QTY	Tightening Torque	
MBB1023011		Belt Cover kit				
	31	Side Cover	I	1		
	32	Screw M4 x 8 mm		1	0,9 Nm/0,7 ft-lb	
MBB1020811		Guard Cover kit				
	8	Guard Cover	J	1		
	33	Screw M3 x 10 mm		1	0,4 Nm/0,3 ft-lb	
8995114181		Belt Support & Protection kit				
	30	Rubber Shield	K	1		
	34	Belt Support		1		
35	Screw M4 x 10 mm	1				
MBB1023611		Rubber Wheel kit				
	37	Rubber Wheel	L	1		
	38	Pin		1		
MBB1020711		File Belt Arm kit				
	7	File Belt Arm 10 mm		1		
	8	Guard Cover		1		
	30	Rubber Shield		1		
	31	Side Cover		1		
	32	Screw M4 x 8 mm	M	1	0,9 Nm/0,7 ft-lb	
	33	Screw M3 x 10 mm		1	0,4 Nm/0,3 ft-lb	
	34	Belt Support		1		
	35	Screw M4 x 10 mm		1		
	36	Wing Screw		1		
	37	Rubber Wheel		1		
38	Pin	1				
8991012711		Assembly Clamp kit				
	24	Assembly Clamp		N	2	
	25	Clip			1	
MBB1120611		Screw and Rubber Cap kit				
	6	Screw M3 x 8 mm		4	1,0 Nm/0,7 ft-lb	
	9	Screw 2,2 x 10 mm		2	0,3 Nm/0,2 ft-lb	
	21	Screw 2,2 x 6,5 mm	O	14	0,4 Nm/0,3 ft-lb	
	23	Screw 2,9 x 13 mm		2	0,7 Nm/0,5 ft-lb	
	32	Screw M4 x 8 mm		1	0,9 Nm/0,7 ft-lb	
	33	Screw M3 x 10 mm		1	0,4 Nm/0,3 ft-lb	
44	Rubber Cap	4				
MBB1123511		Type Label kit EU				
39	Type Label for FBS-B 10	P	10			
8991022911US		Type Label kit US/CA				
39	Type Label for FBS-B 10	P	10			

* Spare parts only available to authorized repairers.

FBS-B 10 x 330 mm Spare Parts

Mirka Code	Item	Description	Kit	QTY	Tightening Torque
	1	Upper Housing	A	1	
	2	Motor	G	1	
	3	Pin	H	1	
	4	Pulley	H	1	
	5	Nut	H	1	
	6	Screw M3 x 8 mm	G,O	4	1,0 Nm/0,7 ft-lb
	7	File Belt Arm 10 mm	M	1	
	8	Guard Cover	J,M	1	
	9	Screw 2,2 x 10 mm	C,O	1	0,3 Nm/0,2 ft-lb
	10	Switch	C	1	
	11	Holder	C	1	
	12	PCB Switch	C	1	
	13	Speed Controller	C	1	
	14	Battery Terminal	C	1	
8991213111	15	Cooling Film 2 pcs/pack	C	2	
	16	Trigger Button Cover	D	1	
	17	Trigger Spring	D	1	
	18	Magnet	D	1	
	19	Trigger Button	D	1	
	20	PCB Cover	E	1	
	21	Screw 2,2 x 6,5 mm	B,C,D,E,O	14	0,4 Nm/0,3 ft-lb
	22	Lower Housing	F	1	
	23	Screw 2,9 x 13 mm	F,O	2	0,7 Nm/0,5 ft-lb
	24	Assembly Clamp	A,F,N	4	
	25	Clip	A,F,N	1	
	26	LED Light Holder	B	1	
	27	LED Light Module	B	1	
	28	LED Light Cover	B	1	
MBB1112911	29	Rubber Cover		1	
	30	Rubber Shield	K,M	1	
	31	Side Cover	I,M	1	
	32	Screw M4 x 8 mm	I,M,O	1	0,9 Nm/0,7 ft-lb
	33	Screw M3 x 10 mm	J,M,O	1	0,4 Nm/0,3 ft-lb
	34	Belt Support	K,M	1	
	35	Screw M4 x 10 mm	K,M	1	
MBB1013611	36	Wing Screw	M	1	
	37	Rubber Wheel	L,M	1	
	38	Pin	L,M	1	
	39	Type Label for FBS-B 10	P	1	
8995121314	40	Hex Wrench 2 & 3mm		1	
8991122211	41	Mirka Intelligent Battery BPA 11125 11.1V 2.5Ah		1	
8991122311	41	Mirka Intelligent Battery BPA 11150 11.1V 5.0Ah		1	
8991112211	42	Power Cord 2.0 m EU		1	
8991112311	42	Power Cord 2.0 m US		1	
8991112411	42	Power Cord 2.0 m UK		1	
8991112611	42	Power Cord 2.0 m CN		1	
8991112711	42	Power Cord 2.0 m ANZ		1	
8991123011	43	Battery Charger		1	
8991123011US	43	Battery Charger (North America)		1	
	44	Rubber Cap	G,O	1	
	45	Washer	D	1	
	46	Plastic Sleeve	D	1	
	47	Washer	D	1	
	48	LED Cover	A	1	